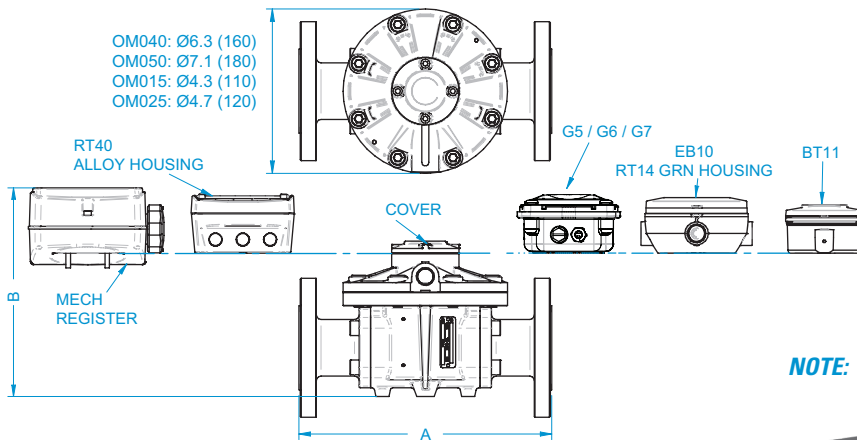


All dimensions are inches ± .079 (millimeters ±2mm)

MODULAR FITTING	A						CONFIGURATION	B							
	OM015	OM025A	OM025S	OM040	OM050	OM050E		OM015A	OM015S	OM025A/P	OM025S	OM040A	OM040S	OM050	OM050E
A.N.S.I. 150 DIN16 JIS 10K	7.4 (189)	7.8 (198)	9.3 (237)	9.9 (252)	10.9 (277)	10.9 (277)	EB10/RT14 GRN Housing	6.0 (154)	5.8 (148)	6.6 (168)	6.5 (165)	7.9 (203)	7.6 (194)	8.6 (218)	10.5 (268)
							BT11 Register	5.7 (145)	5.5 (139)	6.3 (160)	6.2 (157)	7.8 (198)	7.3 (186)	8.3 (210)	10.2 (260)
							RT40 Alloy Housing, G5 / G6 / G7	6.2 (157)	5.9 (151)	6.7 (171)	6.6 (168)	8.1 (206)	7.8 (197)	8.7 (221)	10.7 (271)
B.S.P N.P.T.	4.3 (110)	5.4 (137)	6.9 (176)	7.4 (188)	8.3 (212)	8.3 (212)	Cover	4.2 (106)	3.9 (100)	4.7 (123)	4.6 (117)	6.1 (155)	5.7 (146)	6.7 (170)	8.6 (220)
							Mech. Register	7.0 (178)	6.9 (176)	7.4 (188)	8.4 (214)	8.9 (227)	8.7 (222)	9.3 (237)	11.3 (286)



NOTE: Dimensions are for reference only and may vary by model.